



2021 Rules, Regulations & Specifications JUNIOR BANGERS

Contents

1. THE FORMULA.....	2
2. WHO CAN RACE	2
3. WHAT TO DO NEXT	3
4. ELIGIBLE CARS	3
5. INITIAL PREPARATIONS	4
6. PERSONAL SAFETY.....	4
7. SAFETY EQUIPMENT	4
7.1 CRASH HELMET	4
7.2 RACING OVERALLS/GLOVES.....	4
7.3 A NECK BRACE.....	5
7.4 WET WEATHER CLOTHING.....	5
7.5 1kg FIRE EXTINGUISHER	5
7.6 DRIVERS SEAT WITH HEAD RESTRAINT.....	5
7.7 SAFETY HARNESS.....	5
7.8 WINDOW NET	6
8. VIOLATIONS.....	6
9. GENERAL RULES OF RACING	6
10. ROLL CAGE.....	7
11. BODYWORK.....	7
12. ENGINES	8
13. GEARBOX	9
14. WHEELS, TYRES & SUSPENSION.	9
15. EXHAUSTS.....	10
16. COOLING SYSTEM.....	11
17. BRAKES.....	11
18. FUEL SYSTEM	11
19. BATTERIES & THE ELECTRICAL SYSTEM	11
20. MIRRORS	11
21. PAINTWORK	12
22. SUN VISOR.....	12
23. FIN PLATES.....	12
24. DOOR NUMBERS.....	12
25. SPECIFICATION AND RULE CHANGES.....	12



1. THE FORMULA

This formula is designed to encourage new young drivers to our circuits, to enjoy the atmosphere & thrills of driving on an oval, without the substantial financial investment.

The object of the racing is to complete the specified number of laps in the shortest time. You may push a car from behind, or spin a car but there is no following in (you must not be on the back or side of a car as it hits the fence - whether from the rear, front or side - as this will be deemed forcible fencing & carry penalties or a ban which could be for life). **Deliberate hitting of stationary cars is not permitted.**

Racing is in a clockwise direction on a clearly defined circuit with a separate infield. Any wheels passing over the demarcation lines or entering on to the grassed infield areas will mean that the driver will be penalised.

The Malcolm Girling Rule may only be used on championship races which covers an Official roof grade e.g. World Championship. This is when a car has deliberately been taken out by breaking the rules of racing within the last 3 laps of the race e.g. a car coming off the infield to stop the leader / a car giving a 'head-on'.

This does not include a lapped car taking out the leader providing the manoeuvre used is within the permitted rules of racing. If the Steward of the Meeting decides that the Malcolm Girling has come into effect the result shall go back to when the offence occurred and the leader of the race at that point will become the winner. The Malcolm Girling rule only applies to the driver leading the race.

2. WHO CAN RACE

Drivers must be between the ages of 11 and 15 – the earliest date upon which someone can race is on their 11th birthday. The latest date is the day before their 16th birthday. All licence applications will be reviewed by the Promoter and it must be understood that applications may be refused at the Promoter's discretion. Falsifying documents or providing misleading information about age in order to get round the rules carries a lengthy ban from all formulas. All drivers have to complete an ORCi competence assessment prior to racing. This should be arranged in advance with your promoter – **please check well in advance of the race meeting as your promoter may wish this to be carried out on a separate date prior to your race day if there is not sufficient time to do so on race day.**

Day licences are not permissible in any junior formulas. All drivers must apply for a full race licence. Please note that drivers are only allowed to race Junior Bangers and similar formulas on a JBA track. Any driver who does not have a licence with a JBA promoter and races a Junior Banger type formula on a non JBA track will not be able to race a Junior Banger on a JBA track for the rest of that calendar year. Any driver who holds a licence with a JBA promoter and races a Junior Banger type formula on a non JBA track will be subject to a 12 month full ORC ban.

3. WHAT TO DO NEXT

- Check through the fixture list for the Junior Banger fixtures and select a meeting or meetings.
- Contact your promoter to book in. Bookings are on a first come first served basis.
- All drivers who have not raced on an ORCi track before 1st January 2011 must sit an ORCi Assessment Test, to ensure that they are familiar with the rules of racing, competent in the vehicle controls, and have all the correct safety equipment needed to race. It is not always possible to hold this test on the day of a race meeting due to time constraints, so please check when booking in. It may be possible to carry out a new driver assessment at another meeting, or ideally at a practice day when the child can also have some track time to familiarise themselves with racing. If your assessment is booked for a race day, please ask what time you are required to be at the track ready for the assessment. Drivers not at the track with their car ready to race by the stipulated time may not be able to race.
- On arrival at the Stadium you must first book in at the pit office. If the driver has booked an assessment test please make yourself known to a member of staff. The driver gets free entry to the meeting but any other members of the team will have to pay standard admission prices.
- You must then get the car Scrutineered and obtain the Passed Scrutineering Sticker which has to be displayed in a prominent position on the car.
- Ensure that you are familiar with the raceway flags and the rules of racing, as you are now ready to race and will come under all the Rules & Regulations, similar to all the other formulae.

4. ELIGIBLE CARS

There is a list of eligible cars which is constantly updated on our website. The list at time of writing is below, but you should check the website for any updates. The car must be a right-hand 2 wheel drive saloon, hatchback or estate car with a steel body with an engine size **not exceeding 1300cc**, with either carburettors or Multi Point Injection or Diesel. Please note that some cars on the list may not have been made under 1300cc, in which case a 1300cc or lower capacity engine must be transplanted into the car to make it eligible to race.

No special edition cars, there must have been more than 5000 production cars produced.

Engine limit – 1300cc – some models listed below were not made under 1300cc in which case an engine transplant under 1300cc must be used.

Austin - A30 / A35 / A40 (Farina only - NOT Somerset or Cambridge) / 1100 / 1300 / Allegro / Metro

Chevrolet – Matiz

Citroen - 2CV / Dyane / AX / Saxo / Visa / C1

Daewoo - Matiz

Daihatsu – Charade / Move

Datsun - 100A (Cherry)

Fiat - Panda / Punto / Uno / 126 / 127 / Cinquecento / Tipo / Seicento

Ford - Fiesta / KA / Popular 100E / Anglia

Hillman - Imp

Honda - Civic (1st generation 1972-1979 only) / Logo

Hyundai – i10 / Amica

Kia – Pride / Picanto

Lada – Samara

Lancia - Fulvia

Mini (Not BMW Mini)

Mazda – 121 / 323 (3rd generation 1977-1980 and 4th generation 1980-1984 **hatchbacks only –not booted versions or estates**) / Demio

Morris - 1100 / 1300 / Minor

Nissan – Micra / Pixo

Perodua - Kenari

Peugeot - 104 / 106 / 107 / 205 / 206

Proton – Satria / Compact

Renault - 4 / 5 / 6 / 10 / Clio / Modus / Twingo

Riley - Elf

Rover - 100 (Metro shape - not p4!)

Seat – Ibiza (mk.1 1984-1993 & mk.2 1993-2002) / Arosa

Skoda – Favorit (saloon only – NOT estate)

Smart Car

Subaru - Vivio

Suzuki – Swift / Wagon R / Baleno (3 door hatchback ONLY, NOT booted version or estate)
Talbot - Samba
Toyota – Starlet / Aygo / Yaris
Vauxhall - Nova / Corsa / HA Viva / Chevette
Volkswagen - Polo / Beetle / Fox / Lupo
Wolseley - Hornet
Yugo

ANY CAR NOT ON THIS LIST CAN NOT BE USED WITHOUT PRIOR PERMISSION FROM THE STAGING PROMOTER.

5. INITIAL PREPARATIONS

- Remove all exterior mouldings, screen glass, lamps and handles.
- Remove all **airbags and charges (if fitted)**, interior trim, the dash & passenger seating.
- Remove the fuel tank, spare wheel carrier & tow bar if fitted.
- **Remove rear spoilers and side skirts even if factory fitted.**
- Remove all obsolete wiring and interior debris from the car.
- Read & familiarise yourself with the Banger Rules & Regulations for preparing the race car.
- It is compulsory to pad steering columns, B pillar and roll cage with high density foam – it is NOT permissible to use non-high density padding such as clothing, towels etc.
- For Safety reasons, it is compulsory to fully tape over the steering wheel to avoid possible wrist injury.

6. PERSONAL SAFETY

Drivers are advised that under Health & Safety, they are responsible for their own and their Mechanic's actions. Promoters have had complaints made about Registered Drivers & also Mechanics, consuming large amounts of alcohol at meetings, which could affect their judgement or be detrimental to their health, when medical attention has to be administered by Paramedics, St Johns or Hospital Staff.

Should an incident occur that proves fatal on the raceway and you are involved, it is likely that the Police will want interview you. **If you drive, don't drink!** Scrutineers and Officials will report to the Clerk of the Course, anybody they believe is under the influence of Drink or Drugs. Drivers who are thought to be under the influence, may be breathalysed.

Flags as used by the Starting Marshall & Trackside Safety Staff.

- Waved Green Flag – Go, the race has started.
- Waved Red Flag – Stop racing, slow down and stop immediately.
- Chequered Flag – The race winner has crossed the line, continue to race until the Red Flag is shown.
- Held Yellow Flag – Beware, you are approaching a hazard on the track, continue to race with caution.
- Waved Yellow – Slow down to 15mph, hold your position, **and do not** overtake any other cars. The pace car is entering the circuit to control the pace until the raceway is clear to race.
- A Blue Flag – The race has become processional, you may not pass another driver without attempting to spin them out.
- Black cross on a White board – You have committed an infringement and may be penalised in the results.
- Waved Black Flag - You are disqualified, pull off the track immediately.
- White Flag with a Red Cross – Technical Disqualification, this means there is something wrong with your car which Officials have noticed, and you must leave the track immediately

Drivers are also reminded that they should line up on the grid with their engines switched off, unless told otherwise.

7. SAFETY EQUIPMENT

7.1 CRASH HELMET

- Helmets must be of a minimum standard as directed by British Oval Racing Safety Executive (B.O.R.S.E).
NO POLYCARBONATE helmets are allowed.

- The following standard of helmet are permitted: FIA 8860-2004, 8860-2010, 8859-2015, Snell EA2016, CMR2007, CMS2007, CMR2016, CMS2016, SA2005, SA2010, SA2015, SFI Foundation **24.1, 31.1**, 31.1A and 31.2A The E2205 European standard helmet may be used in Fibreglass, Carbon or Tri-Composite form only.
- It is important that the helmet fits the driver correctly and that manufacturers guidelines are followed.

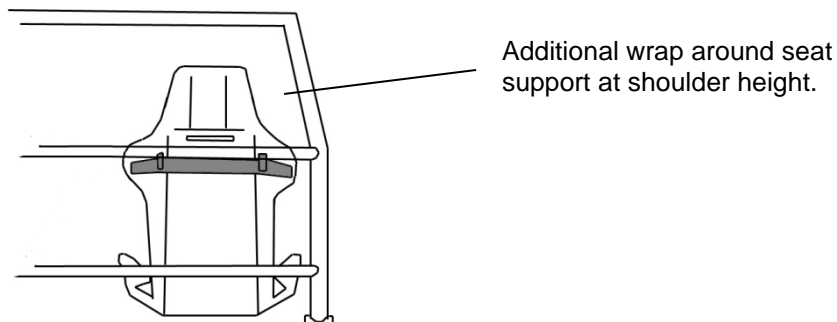
7.2 RACING OVERALLS / GLOVES / BALACLAVA You must wear Fire retardant, clean, un-torn and brightly coloured Racing Overalls that are made of a fire retardant material and are clearly marked fireproof. Mechanics are also required to wear clean overalls and will not be permitted on to the track without them being on, when instructed to do so. It is mandatory to wear fire retardant gloves also clearly marked fireproof, and a fire retardant balaclava.

7.3 A NECK BRACE is **compulsory** for Junior Bangers. A spine support is optional. The neck brace must be complete and the wrap around style and not the U shape style or a forward head restraint can be used but must be to either FIA or SF1 standard. It remains the driver's responsibility to ensure that their device is the correct size and fitting and used with a compatible helmet. It is also a requirement that a driver must be able to quickly exit from their car wearing the head restraint and helmet without the intervention of a third party.

7.4 WET WEATHER CLOTHING is also recommended and must be worn in addition to, and **not** instead of the racing overalls.

7.5 1kg FIRE EXTINGUISHER A 1Kg Dry Powder Gauge Fire Extinguisher is allowed and if fitted, this should be in a tube with a spring top and should be within easy reach of the driver. Old type BCF (green) type extinguishers are not allowed. All tow vehicles, must carry a minimum of a 2kg fire extinguisher dry powder or gas, which must be within easy reach of the driver and mechanics at all times, especially when refueling.

7.6 DRIVERS SEAT WITH HEAD RESTRAINT You must have a Driving Seat with a head restraint and this may be of a competition type. The seat should occupy its original position where possible and be suitably supported at shoulder height and on both of the sides and back, with a suitable framework or seat stiffeners.



7.7 SAFETY HARNESS

Please refer to the latest ORC Safety Document regarding this

7.8 WINDOW NET

A race manufacture window net in the driver's door window is **compulsory**. This should be fitted so it can easily and quickly be opened by hand if necessary from the outside of the car by an official in an emergency.

7.9 RACEIVER

All drivers MUST use an official Raceiver. Any driver whose Raceiver is not working when forming the grid prior to a race will not be allowed to race, unless it can be repaired before the race start. It is strongly recommended that you carry a spare battery either in your overall pocket or taped inside your car.

8. VIOLATIONS

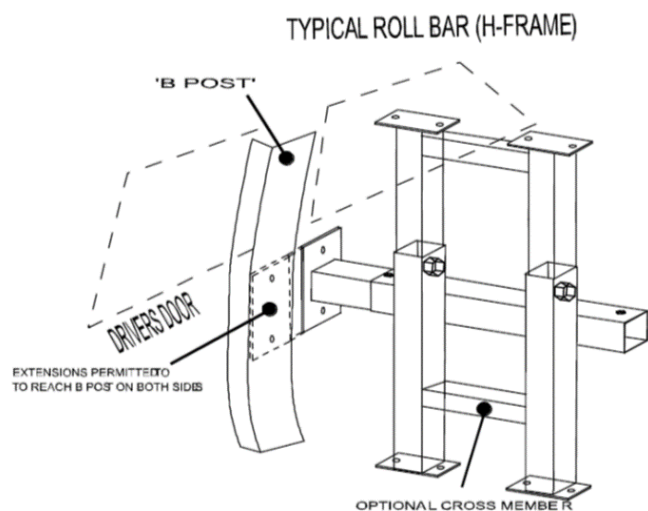
- When referring to the engine, gearbox, final drive, mechanical or construction Rules & Regulations, the principle will always be: *Unless permission is specifically granted to make modifications (or any variation) nothing may be done to alter or change the Standard Parts in any way.*
- It is the responsibility of the Driver to prove to the Promotion that the part is legal, by way of written proof of where the part originated. This must be undertaken within 7 days, otherwise the item in question will be deemed illegal, resulting in immediate suspension from racing & referral for disciplinary action. **Unless the rules say you can do it, you cannot do it!**
- Presentation of a Vehicle for Scrutineering is a declaration by the entrant that the vehicle is eligible for that event.
- Car engines & fuel will be checked on a random basis. Violations or refusal to allow an engine check will result in an immediate suspension of all racing facilities.
- All Car and Engine Specifications will be taken from either the manufacturers Technical Specifications or the Technical Service Data books as published by Glass's Guide.
- Should a discrepancy occur between the Specifications then the Promotion will exercise its judgement, and that decision will be final.
- Clarification on any one item may be sought from the Promoter.
- Each driver is permitted one car per meeting & each car is permitted one driver per meeting.

9. GENERAL RULES OF RACING

- Drivers apprehensive about contact can display in the rear window aperture a black cross on a white back ground, size of the display plate is 305mm or 12" square, to signify to other drivers that they must not make contact with your car during racing.
- The Clerk of the Course has at his discretion the right to remove the Black cross from you, when he thinks you are confident to race with the others.
- You must line up in your grid positions with the engine switched off.
- Grid positions will be allocated on a first come first served basis on track. The exception to this is for tracks which run a graded grid system and cars must display the correct roof colour. Race winners will start at the back of the grid (or back of their grade if grades used) for the rest of the meeting.

10. ROLL BAR

- Roll cages may be adjustable (height and width), however the use of screw adjusters i.e. acrow style are not permitted.
- The roll cage must be fitted upright or dog-legged, but not leaning back or forward.
- It is compulsory to pad roll cages, including the B pillar and steering columns **with foam type padding.**
- The hoop must be one piece or two uprights and one top bar of a welded construction. This top bar should be as shown at the top of the uprights.
- A second cross bar is compulsory, a third is optional; these must be welded or bolted to the uprights.



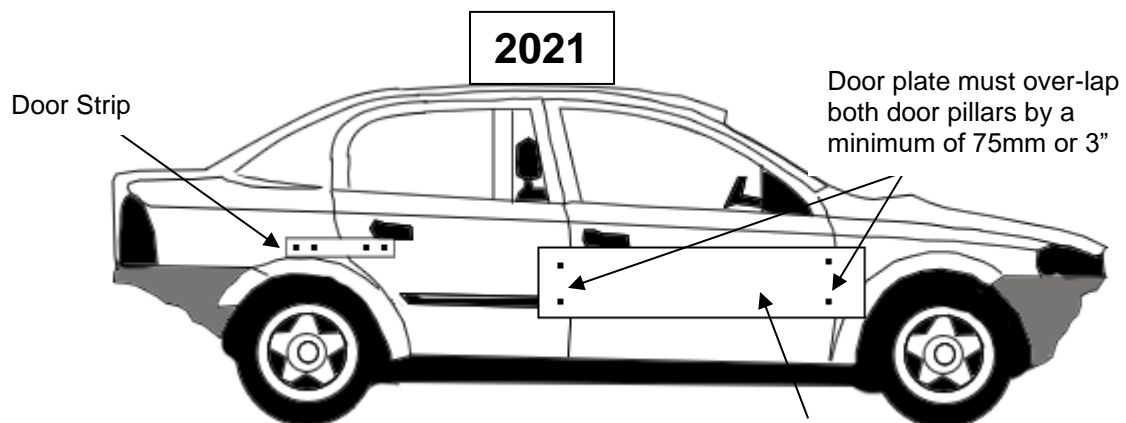
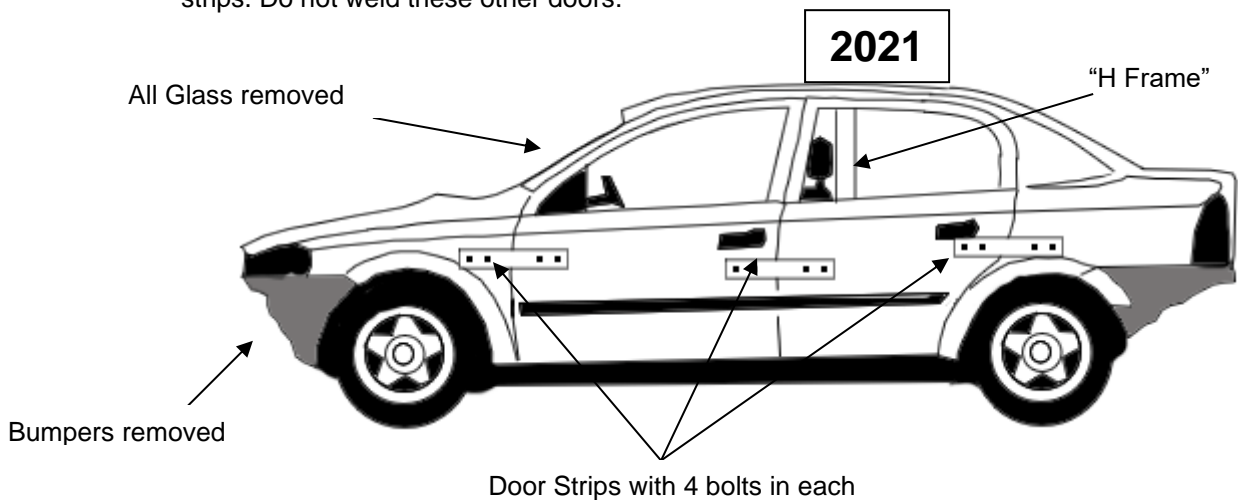
Plans Supplied by BBR Fabrication 07974 188819

- **THE ROLL BAR MUST NOT HAVE ANY REAR SUPPORTS** but may have extensions no further forward than the B post.
- The minimum size for roll bar is 2" (50mm), maximum size 4" (100mm), and minimum thickness 3mm.
- Crossbars must have a 5" (125mm) square end plate fitted. This must be minimum 6mm thick.
- The roll bar cross bars must be straight, or extended forward to the B pillar and bolted through the pillar
- Each upright must have a **minimum** of two bolts on each side to the floor and **two** each side at the top.
- You must tie the seat at shoulder level to the roll cage or B pillar, through the seat frame not headrest, you may fit the 2nd cross bar in support of the seat just below the window aperture or weld a frame on the cage to support the seat at the top.
- Foam padding must be fitted to the roll cage above the head, to the door pillar at the side of the drivers head and around the steering column.

11. BODYWORK

Doors

- The Drivers door is only part on the car that can be welded and a piece of box or tube can be welded to the lower window aperture. No other welding is permitted anywhere else on the car apart from the sun roof plate.
- All the other doors *must* be fastened, you can use strips of metal, and the strips must be no longer than 400mm or 15¾" in length, by 60mm or 2½" in width. Max four bolts can be used to attach each strip and the minimum size of the bolts/studding is 8mm in diameter & the maximum is 12mm diameter. Seat belt webbing can be used instead of Metal strips or the doors can be fixed with 12mm bolts directly through the Panels.
- The tops of the door frames may also be tied with seat belt webbing, but you can still fit the door strips. Do not weld these other doors.



The Door plate must be fixed by either four 19mm bolts or studs, or six 13 mm bolts or studs, through both the door pillars. No slotted holes allowed

- A driver's door plate must be fitted & overlap the door pillars by a minimum of 3".
 - *NB. No trench plates are permitted.*
- The plate must be a minimum of 10mm or 3/8", to a maximum of 19mm or 3/4" in thickness.
- Its depth must be no less than 254mm or 10" & no more than 305mm or 12".
- The plate must be fixed by either four 19mm fixings or six 12mm fixings, through the door pillars with large washers on the inside.
- The door plate holes must not be slotted.
- An additional piece of angle iron or box section, not exceeding 76mm or 3" in its width and of any gauge, may be welded horizontally along the length of the door plate. The ends of this horizontal section must have the ends tapered or cut at an angle so as to prevent getting tangled up in rubbing situations. Any bolt fixings must not protrude this section of metal, they must be flush.
- **It is COMPULSORY to fit a steel plate to the driver's floor-pan.** It must be no thicker than 6mm, and must be bolted and/or welded in. This may be modified to rise to the maximum height of the sill of the door side only.

Front & Rear Bumpers

- Original bumpers may remain, but plastic bumpers must be removed.
- The original metal fixing behind the plastic bumper can remain and must be bolted, not welded. If there is no metal piece behind the plastic bumper on the front, then a replacement front bumper may be fabricated. The fabricated front bumper must be a maximum of 75mm x 3mm thick, and may be folded up the side of the chassis rails by a maximum of 3" with a maximum of 2 bolts on each side – no welding. The bolts must go through the chassis, not up the chassis.
- NO replacement bumper is permitted on the back of the car.
- No tow bar must be left on the car.

Front Wings

- The lower part of the wing may be trimmed level to where with the top of where the bumper was.

Bonnet Fixings

- ***Bonnet bolts may be used but only towards the rear and MUST NOT go further forward further than the front turrett. The plates must be a maximum of 6" square. The Front of the Bonnet must be secured by seatbelt only with a maximum of 2 ties.***
- Triangular corner plates or straps may be used to secure the rear of the bonnet by bolting or welding (1/8"thick). Plates or straps must be placed no further than 12" across or down from the back edge and side of the bonnet. In this case you may only use two seatbelt fixings at the front.

Sun Roofs

- The glass must be removed and replaced with a piece of metal of a maximum thickness of 2mm, overlapping the aperture all the way round by 100mm or 4". The plate can be either welded or bolted in place. The fixing of this panel will have to meet scrutineering approval.

Aerofoils, Wings & Spoilers

- Aerofoils / wings or spoilers are NOT permitted.

Grilles

- These must be removed.

Boot / Rear Hatches

- Boots / rear hatches can be bolted with a maximum of four bolts.

12. ENGINES

- **The MK6 Fiesta may use the Escort or Focus ECU and inlet manifold. The inlet manifold must be off a maximum of a 1600 engine and may not be modified in any way. (This will be monitored over the course of the year).**
- The engine must remain as it was produced in its standard form for that vehicle model
- Any transplants must be model to model ie NOT NISSAN to NISSAN but NISSAN MICRA TO NISSAN MICRA etc.
- The air filter may be removed or replaced.

- Only the 34 ICH Weber carburettor may be used to replace the standard carburettor for the model of car being raced. **Jets may be changed but no drilling of any parts.**
- No modification to the carburettor allowed.
- Multi point injection can be used, but you may also remove the injection system and replace it with the previous carburettor set up or Diesel.
- Any alteration or removal of engine numbers will deem the engine illegal.
- The standard ECU that was manufactured with the engine must be used. There will be a buyout clause of the ECU and Loom complete for £100. Anyone wishing to purchase another driver's ECU and Loom must do so by approaching the meeting steward and not the driver concerned.
- **Rev Limiters MUST NOT be tampered with in any way**
- There will be a buyout clause of the engine and gearbox complete for £350. Anyone wishing to purchase another driver's engine and gearbox must do so by approaching the meeting steward and not the driver concerned.

13. GEARBOX

- The Transmission must be kept as produced for the model in its standard form.
- You may not lock the differential or any type of slipper or power lock differential cannot be used even if fitted as standard.

Engine / Gearbox Mounts

- Alloy engine/gearbox mounts can be replaced by fabricated steel versions and welded or bolted to the chassis. The maximum size of the mount is 5 inches where it is attached to the chassis. The mount must not exceed the original size of the standard mount which is being replaced, it is solely for holding the engine in and not for strengthening, and no part of the mount must be in front of the engine.
- **Any front engine mounting must not go below the block in order to protect the sump.**
- Flywheels and Gearboxes may be used from model of car but must be in standard form.

14. WHEELS, TYRES & SUSPENSION

- All four wheels must be of the same diameter.
- All wheel fixings must be in place.
- All wheel weights & hub caps must be removed
- Any standard road wheel steel or alloy can be used up to a width of 6".
- No Weller rims permitted.
- Only conventional tyres may be used.
- Tyres must read a minimum of 60 on a durometer at any time.
- Tyre Gaiters are permitted.
- Tyres must be a minimum of 60 Series
- **"Run flat" tyres, 1B rated 'Track-day' tyres, Rally tyres, competition type, cut tyres, Town and Country, Mud & Snow Type or Kingpin Alpine Series tyres are NOT allowed.**

<p>AVON</p> <ul style="list-style-type: none"> • ACB 10 Sport • CR6ZZ (Including Sport) • Turbospeed CR28 Sport • CR500 • ZZR <p>BRIDGESTONE</p> <ul style="list-style-type: none"> • Potenza S007 RFT <p>CONTINENTAL</p> <ul style="list-style-type: none"> • ContiForce Contact <p>DMACK</p> <ul style="list-style-type: none"> • Trackday <p>DUNLOP</p> <ul style="list-style-type: none"> • Formula R D83J • Formula R D84J • Formula R D93J • Direzza 02G • Direzza 03G • CR 311 • Sport Maxx Race • SP Sport R7 <p>FEDERAL</p> <ul style="list-style-type: none"> • 595 EVO • 595 RSR • FZ 201 	<p>GOODYEAR</p> <ul style="list-style-type: none"> • EAGLE F1 <p>HANKOOK</p> <ul style="list-style-type: none"> • Z209 • Z210 <p>KUMHO</p> <ul style="list-style-type: none"> • Ecsta V700 (inc V78) • Ecsta V70A • Ecsta TW01 • Ecsta TW02 • Ecsta C03 <p>MARANGONI</p> <ul style="list-style-type: none"> • Zeta Linea Sport <p>MAXXIS</p> <ul style="list-style-type: none"> • Maz1 Drift <p>MAXSPORT</p> <ul style="list-style-type: none"> • RB4 Intermediate • RB5 <p>MICHELIN</p> <ul style="list-style-type: none"> • Pilot Sport Cup • Pilot Sport Cup 2 • TB 15 • TB 15 (f & r) 	<p>NANGKANG</p> <ul style="list-style-type: none"> • NS-2R <p>PIRELLI</p> <ul style="list-style-type: none"> • P Zero Trofeo • P Zero C • CA67 • CF67 • P Zero Corsa • P7 Corsa Classic • P Zeri Torfeo R12 <p>SILVERSTONE</p> <ul style="list-style-type: none"> • FTZ Sport RR • FTZ Wet Tyre • S575 • S585 <p>TOYO</p> <ul style="list-style-type: none"> • R888 • R1-R <p>YOKOHAMA</p> <ul style="list-style-type: none"> • All Tyres
---	--	---

PLEASE NOTE : All tyres listed in the table above are NOT allowed.

The ORCi reserves the right to ban any tyre make or type which gives an unfair advantage. Decisions on which tyres are permitted will be at Scrutineer's discretion.

- Suspension. All suspension must remain standard to the car which is being raced. No re-valving or oil on shock absorbers and no changing or lowering of the springs is permitted. Camber is not permitted on any wheel on a fresh car. Camber on race damaged cars will be down to scrutineers' discretion as to whether or not they feel this will provide an unfair advantage.
- ***Micra or similar cars may use a strap connecting the two wishbones, but this may not be connected to any other part of the car or the engine. This strap must be a maximum of 2"x 2" (50mm x 50mm), and can only be used on cars with no subframe.***
- Anti Roll Bar must be fitted as standard or totally disconnected at links.

15. EXHAUSTS

- An exhaust silencer must be fitted and reduce noise. It does not have to be the original manufacturers system.
- No competition type systems are allowed
- **No 'Cherry Bomb' type silencers are permitted**
- Extra fittings are permitted.
- **Ineffective or systems that become insecure while racing will require you to pull off the track. You will be shown a White Flag with a Red Cross mechanical failure flag and you will be excluded from the results – Failure to obey this flag may result in additional penalties.**

- The original manifold and down pipes must be used but if the car is fitted with a catalytic converter, the catalytic converter may be removed inside. If it is a car where the catalytic converter is on the exhaust you may cut that part out and replace it with tube that slides just over the original exhaust. Silencers maybe changed but no cherry bomb type are permitted. Any car that seems to be too noisy will not be permitted to race. This is at the scrutineer and Steward of the Meetings discretion.

16. COOLING SYSTEM

- Radiators are free & may be moved to any position in the engine bay.
- Steam tanks may be used and may be L-shaped but must not have any part forward of the centre of the strut or front wheel on the passenger side. They may go across the bulk head behind the engine but that part must be rectangular only and not extend at all down towards the driver's side strut.
- Electric cooling fans may be wired through a separate switch.

17. BRAKES

- The *standard* manufacturers system must be used & work on all 4 wheels.
- The handbrake must also be operational.

18. FUEL SYSTEM

- The maximum capacity of the fuel tank must not exceed 9 litres.
- **No converted fire extinguishers are allowed.**
- **The fuel tank must be fitted ONTO the H frame and NOT on the H Frame floor plates, i.e. NOT on the car floor itself. It should be kept away from the sides of the car in case of side impact.**
- Fuel caps must be of a metal screw type, no push fit types are allowed
- The fuel outlet must be from the top of the tank.
- The tank must have a positive means of fixing.
- A breather pipe must be fitted which should incorporate a one-way valve, with the pipe terminating below the tank so as to prevent spillage if inverted.
- All fuel lines must be of good quality rubber or be metal covered, no rigid metal piping is allowed.
- Only roadside fuel can be used, Petrol or Diesel. No additives are allowed.
- If an electric pump is fitted, a cut-off switch must be in close proximity of the driver.
- Multi point injection can be used with a return back to the tank or a t-piece fitted in the fuel line between the fuel tank and the fuel pump but the electrical isolation switch (cut off switch) must be fitted in the N/S/R window area of the B post, for easy access of Safety Marshalls.
- You may also remove the Single or Multi-point injection system and replace it with a conventional carburettor if it's available from the manufacturers range. If you have doubts about the legality of the change, please phone the Stock car Office for confirmation.
- With carburettor fuelled cars, a manual shut-off tap must be fitted within reach of the driver when strapped in the car, but with fuel injected cars, the fuel flow must be controlled by the pump cut off switch. Immersed fuel pumps are permitted.

19. BATTERIES & THE ELECTRICAL SYSTEM

- The Battery must be securely fixed & covered with a rot proof material, if it is not of the sealed cell type.
- If battery is mounted on the floor it must be secured in a box, the maximum size is to be 18" x 12" or equivalent.
- The batteries must be a minimum of 152mm or 6" away from the fuel tank.
- No seatbelt straps must interfere with or come into contact with the battery.
- A battery master switch must be fitted in the rear left-hand window and clearly marked "ON-OFF" or have an electrical danger decal. The cut-off switch must break the earth connection lead.
- A self-starter motor must be fitted & working at all times.

20. MIRRORS

- The Interior mirror may be fitted.
- Maximum mirror size is 152 x 100mm or 6"x4" and if glass, it must be covered in a clear plastic film to stop the glass fragmenting.

21. PAINTWORK

- The external appearance of the car must look bright & professional at all times; drivers of scruffy looking cars will be told to improve their appearance & may not be allowed to race.
- A maximum of two cars may be painted in team colours or painted to look similar, unless it is required by the Promoter for a particular team event.
- Sign writing must be professional and be approved by the Promoter.

22. SUN VISOR

- A Sun visor 165mm or 6" in depth may be fitted with your name upon it.

23. FIN PLATES

- Fin plates must be fitted above the roof line but they should not be larger than 305mm or 12" by 559mm or 22" wide.
- Fin plate numbers must be 229mm or 9" high by 38mm or 1½" in width, plain black numbers on a plain white background. Please ensure they are correct. **No Holographic numbers or backgrounds.**

24. DOOR NUMBERS

- The drivers racing number must appear on both sides of the car. The numbers should be 406mm or 16" high x 50mm or 2" wide, on a contrasting background, which must extend a minimum of 50mm or 2" beyond the numbers.
- Your racing number must also be displayed on your bonnet facing the control box. The numbers should be 406mm or 16" high x 50mm or 2" wide, on a contrasting background.

25. SPECIFICATION AND RULE CHANGES

The Promotion may at any time make amendments to the Specifications for the following reasons:

- In the interests of Safety
- Reduce costs for the driver
- In areas that are detrimental to the future of the formula
- If an unnecessary advantage has been deemed to have been gained

REVISED RULES FOR 2021 IN RED PRINT
ITEMS MARKED STRIKETHROUGH ARE NO LONGER ALLOWED
2021 Junior Banger Technical Specifications
Issue 2, Dated 18 March 2021
These rules are valid with immediate effect